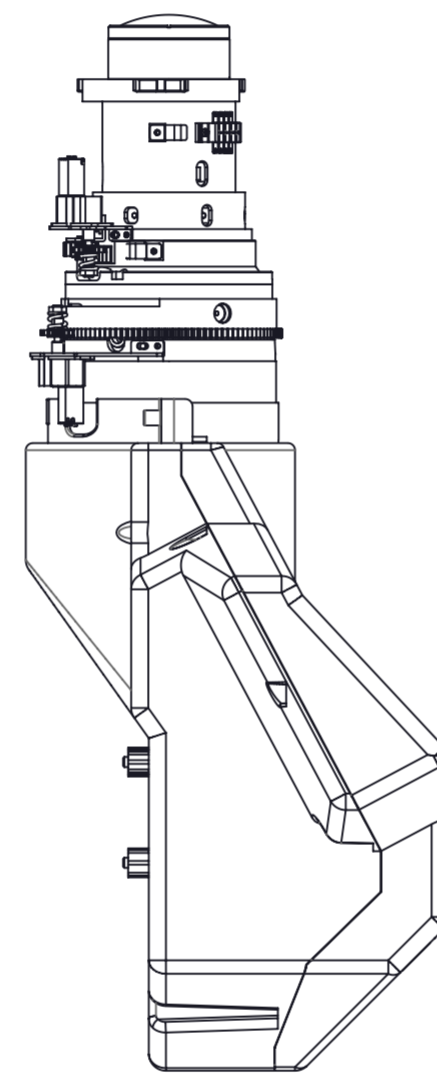
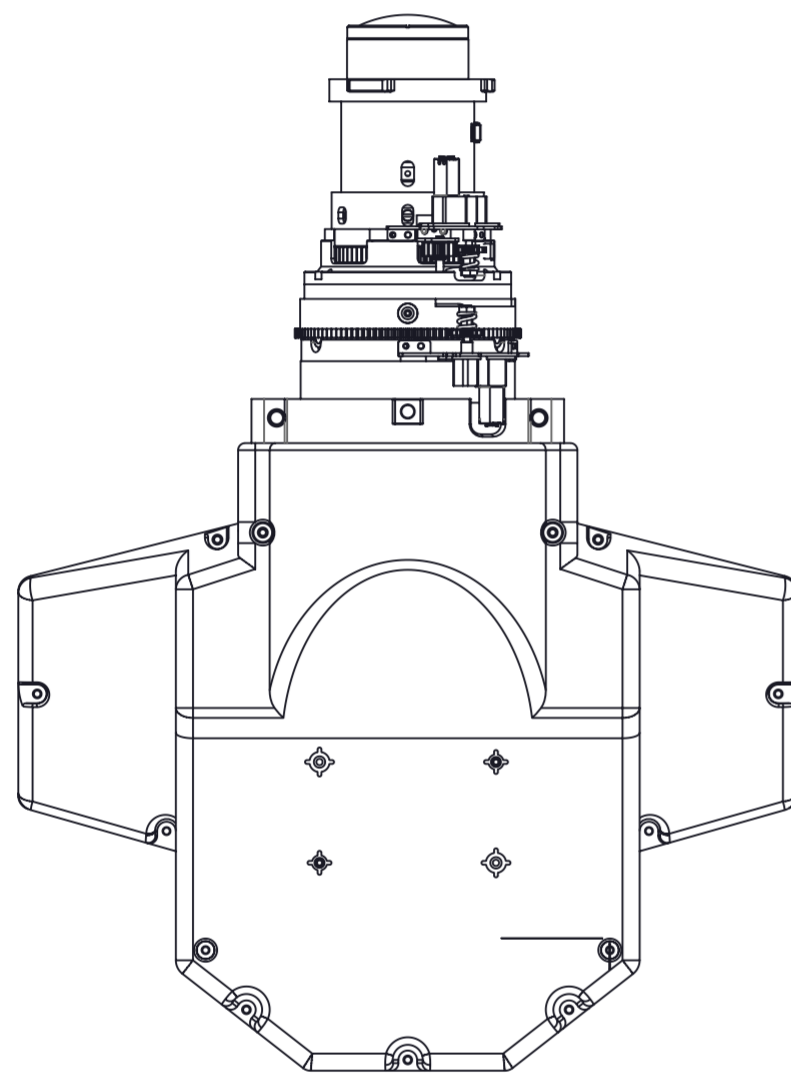
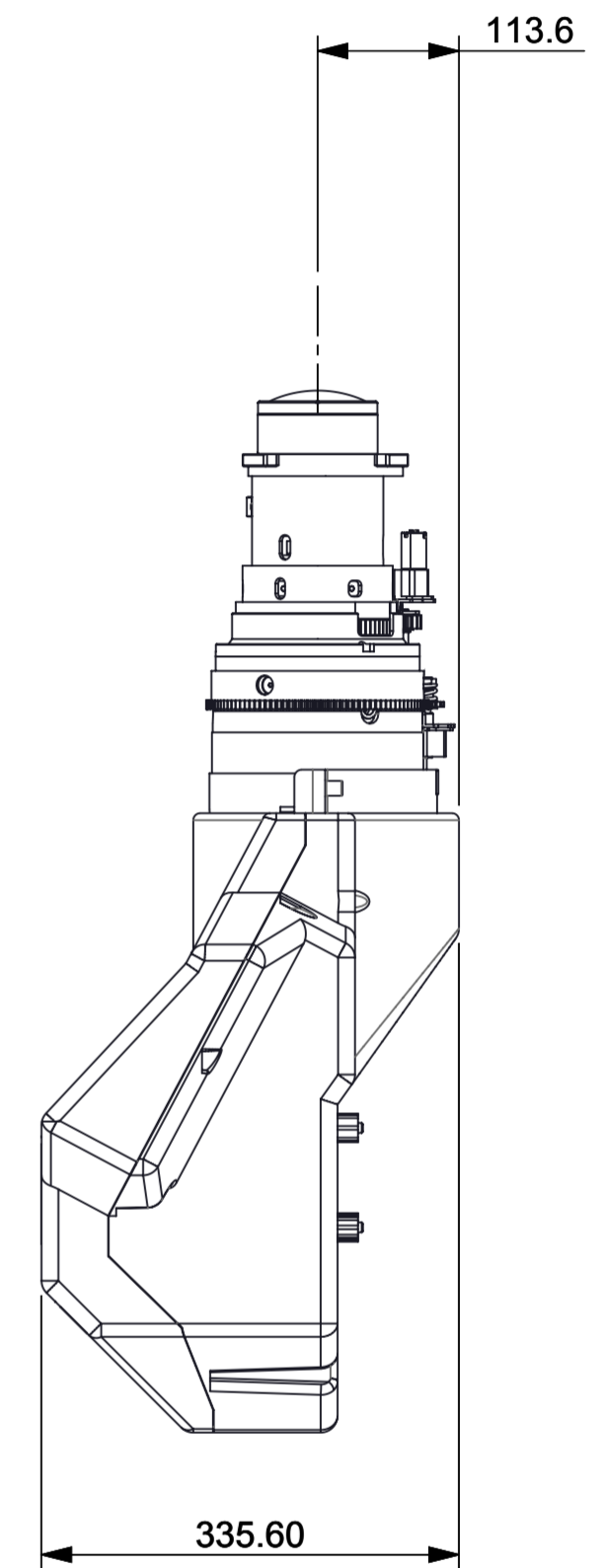
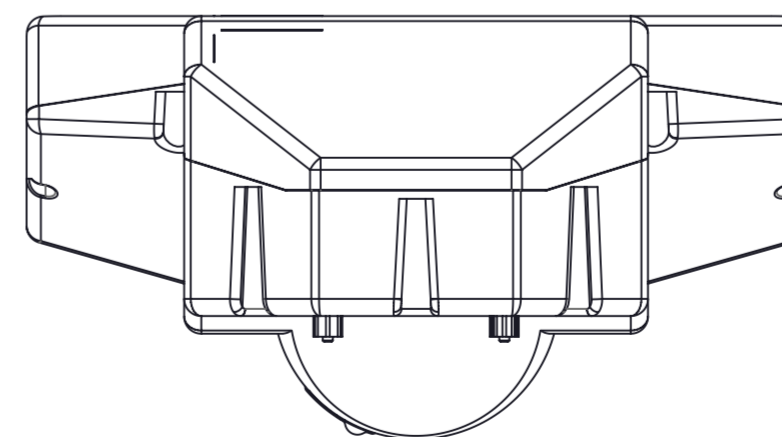
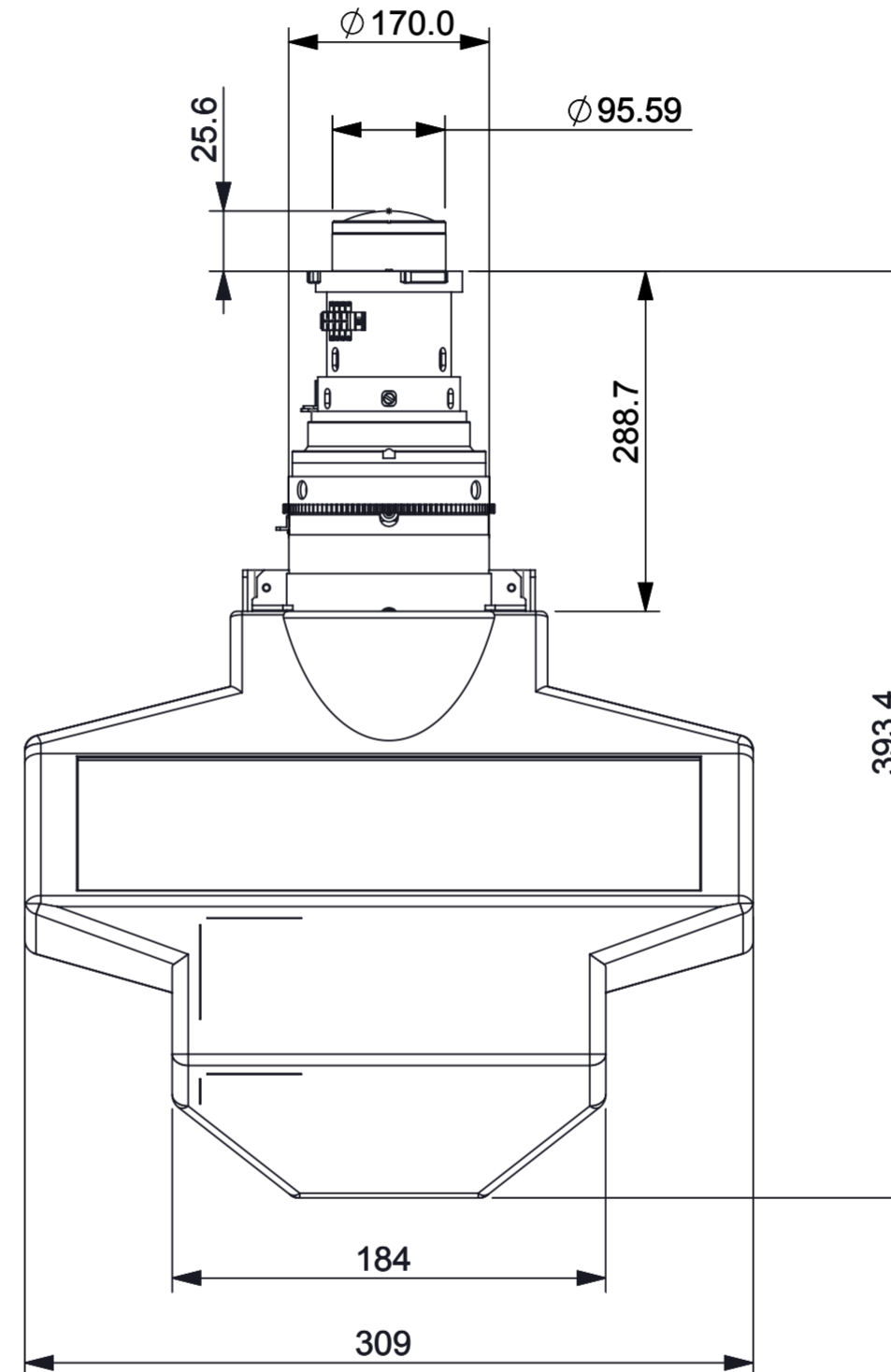
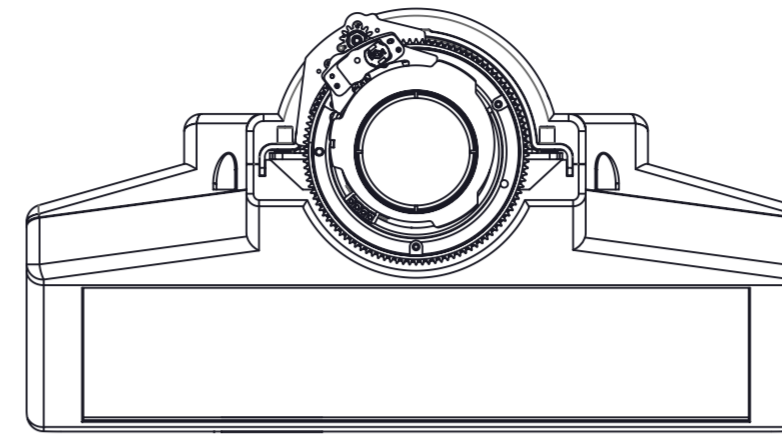


IF IN DOUBT, ASK.



THROW RATIO	
WUXGA	UHD 4K
0.377:1	0.377:1

A2 DRG. No.

PROPRIETARY INFORMATION
This document contains proprietary information which is loaned to you in confidence for a specific purpose. It shall not be reproduced, stored in a retrieval system, or transmitted in any form or by any means, electronic, mechanical, photocopying, recording, or otherwise, without the prior written permission of Digital Projection Ltd. It shall be returned immediately upon request.

DRAWN BS 308
3rd Angle Projection

Distribution Code

PRE REVS	ITEM	DESCRIPTION	REFER TO	No OFF	REMARKS
	7				
	6				
	5				
	4				
	3				
B	2				
A	1				

MATERIAL	
CODE	
FINISH	

CAD GENERATED DRAWING
DO NOT MAKE MANUAL CHANGES

LAST CHANGE

-INCLUDES LENS SUPPORT KIT

DATE OF ISSUE 1-3-19

TOLERANCES UNLESS OTHERWISE STATED	Unless Otherwise Stated	DIMENSIONS IN MILLIMETRES	FIRST USED ON
METRIC: 1.000 ± 0.01 1.00 ± 0.1 1.0 ± 0.2 1 ± 0.4	REMOVE ALL BURRS & SHARP EDGES. DO NOT SCALE DRAWING THE SURFACE TEXTURE ROUGHNESS NUMBER OF MACHINED SURFACES SHOULD BE EQUAL TO OR LESS THAN 0.8um (N6 CLA32)	REV. B	ORIGINAL SCALE 1:6
IMPERIAL: Fractional ± 1/64" Decimal ± 0.005"		NOTE	DRAWN jcharnley
ANGLES ± 0° 30'		DRAWN jcharnley	APP.ENG.
		DATE 30-11-17	DATE 20-05-16

DIGITAL PROJECTION		MIDDLETON M24 1XX
TITLE	COMPONENT OR DRG.No.	
LENS, ULTRA SHORT THROW, F2.0	117-341	
A2-SHEET		1 OF 1